

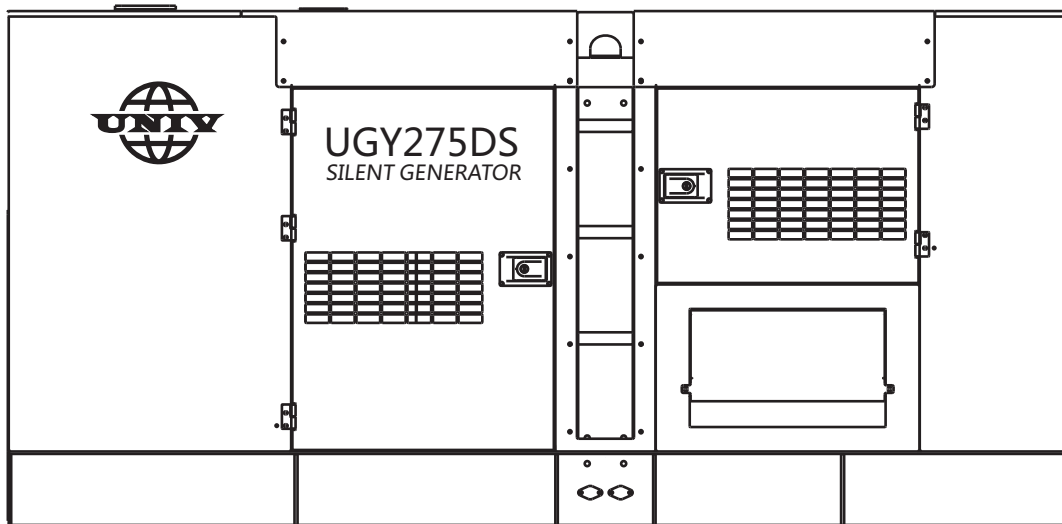


# UGY275DS

## UNIVPOWER SILENT SERIES

### POWER OUTPUT

Prime Rating — 220 kW (275 kVA)  
 Standby Rating — 242 kW (302.5 kVA)  
 3-Phase, 50 Hertz, 0.8 PF



### STANDARD FEATURES

- Heavy duty, 4-cycle, variable speed fan, diesel engine provides maximum reliability.
- Brushless alternator reduces service and maintenance requirements. Class H protection.
  - Open delta alternator design provides virtually unlimited excitation for maximum motor starting capability.
  - Automatic voltage regulator (AVR) provides precise regulation.
- Electronic governor system maintains frequency to  $\pm 0.25\%$ .
- Full load acceptance of standby nameplate rating in one step
- Soundproof, weather resistant, steel housing provides operation at 76dB (A) at 7meters. Fully lockable enclosure allows safety operation. Outdoor operation available.
- Internal fuel tank with direct observing glass, and fuel level meter display on control panel  
 E-coat and powder coat paint provides durability and weather protection.
- Digital engine gauges including oil pressure, water temperature, battery volts, engine speed, and fuel level.
- Analog generator instrumentation including Ampere meter,
- Voltage meter, frequency meter, ammeter phase selector switch, voltmeter phase selector switch. Analog generator instrumentation and regulator adjustment.
- Deepsea/Comap professional generator controller.
  - High visibility LCD display with heated screen and alphanumeric readout.
  - IP65 Protection standard, operational temperature range of -40° to 85° C.
  - Modbus interface for gauge panel and expansion options.
  - DPF cleaning cycle indication.
  - Log record for inspection
- Automatic safety shutdown system monitors the water temperature, engine oil pressure, low coolant, low DEF, overspeed, and overcrank. Warning lights indicate abnormal conditions.
- Fuel/water separator. Removes condensation from fuel for extended engine life.
- Emergency stop switch — when manually activated, shuts down in any emergency.

### UNIVPOWER SILENT SERIES

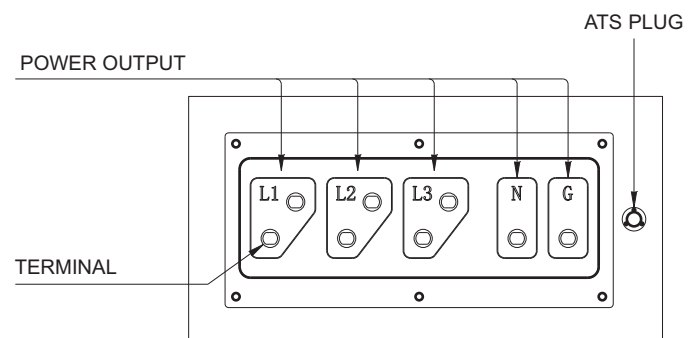
#### UNIV POWER DECIBEL LEVELS

Revolving field, self ventilated weatherproof Normal conversation allows substantially lower operating noise levels than competitive designs. UNIVGensets good for home, construction sites, residential, hospital, etc.

- 90 — Subway / truck traffic
- 80 — Average city traffic
- UNIVGenset at 7m
- 70 — Inside car at 60 mph
- 60 — Air conditioner at 6m
- 50 — Normal conversation

**76.0**  
DECIBELS

### GENERATOR OUTPUT PANEL





# UGY275DS

## UNIVPOWER SILENT SERIES

### SPECIFICATIONS

| Generator Specifications                   |  |
|--|--|
| Model                                      | Revolving field, self-ventilated weatherproof                      |
| Armature Connection                        | Star with Neutral  |
| Phase                                      | 3  |
| Standby Output                             | 242KW (302.5KVA)   |
| Prime Output                               | 220KW (275 KVA)  |
| Power Factor                               | 0.8  |
| Voltage Regulation (No load to full load)  | ±0.5%  |
| Generator RPM                              | 1500   |
| Frequency                                  | 50 Hz  |
| No. of Poles                               | 4  |
| Excitation                                 | Brushless with AVR   |
| Frequency Regulation: No Load to Full Load | Isochronous under varying loads from no load to 100% rated load    |
| Frequency Regulation: Steady State         | ±0.25% of mean value for constant loads from no load to full load. |
| Insulation                                 | Class H  |
| Sound Level dB(A) Full load at 7M          | 76   |

| Amperage   |              |
|--|--------------|
| Rated Voltage                                    | Maximum Amps |
| 3Ø Volt 230/400                                  | 396.9Amps    |
| 3Ø Volt 220/380                                  | 417.8 Amps   |
| Main Line Circuit Breaker Rating                 | 630 Amps     |
| Over Current Relay Trip Set Point 400V Mode Only | 693Amps      |

| Fuel System        |                            |
|--------------------|----------------------------|
| Fuel Tank Capacity | 105.6 gallons (400 liters) |
| Fuel Consumption   | L / h                      |
| At full load       | 56                         |
| At 3/4 load        | 41.6                       |
| At 1/2 load        | 28                         |
| At 1/4 load        | 14.1                       |

| Control system     |                               |
|--------------------|-------------------------------|
| Controller Brand   | Deepsea                       |
| Model              | DSE4520                       |
| Module             | Manual/Auto start/stop module |
| Standard function  | Engine control                |
|                    | Generator monitoring          |
|                    | Generator protection          |
|                    | Specification                 |
| Display            | Frequency                     |
|                    | Battery voltage               |
|                    | Running hour                  |
| Warning/shutdown   | under/over voltage            |
|                    | under/over speed              |
|                    | under/over frequency          |
|                    | Low oil pressure              |
|                    | High water temperature        |
| Communication port | USB                           |

| Engine Specifications     |   |
|---------------------------|---|
| Make / Model              | Deutz / BF6M1015C-LA G2A  |
| Emissions                 | /   |
| Starting System           | Electric  |
| Design                    | 6-cycle, water cooled, direct injection, natural intake Turbo charged |
| Displacement              | 11.9 liters   |
| No. cylinders             | 6   |
| Bore x Stroke             | 132 x 145 mm  |
| Gross Engine Power Output | 387.6 hp (285 kW)   |
| Compression Ratio         | 16.6 : 1  |
| Engine Speed              | 1500 rpm  |
| Overspeed Limit           | 1725rpm   |
| Oil Capacity              | 8.19 gallons (31 liters)  |
| Coolant Capacity          | 10.83 gallons (41 liters)   |
| Battery                   | 24V 100Ah x 2   |

| Alternator                      |                                |
|---------------------------------|--------------------------------|
| Alternator Brand                | Stamford/Mecc alte/Dingol      |
| Alternator Model                | S4L1D-D/ECO38 2L4A/DG444D      |
| Excitation                      | Brushless, Self-Excited system |
| Capacity(KVA)                   | 300kva                         |
| Power(KW)                       | 240kw                          |
| Efficiency(%)                   | 90%                            |
| Insulation class                | Class H                        |
| Protection class                | Ip23                           |
| Steady state voltage regulation | ±1%                            |
| Voltage control                 | AVR                            |

### WARRANTY\*

#### Generator

12 months from date of purchase or 1000 hours (whichever occurs first).

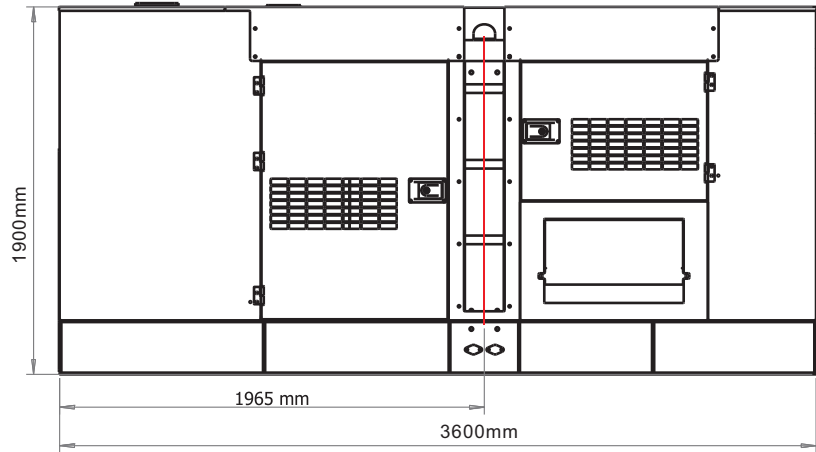
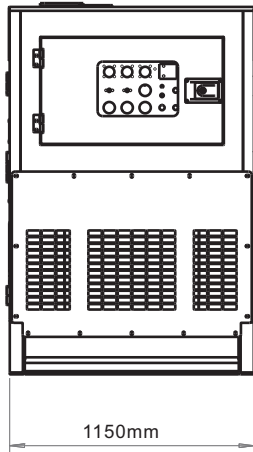
### NOTICE

Enough Air flow is extremely important to Generator operation. Improper connection can cause electrocution and/or property damage. Do not connect to any electrical system except through an approved device. Specifications are subject to change without notice.



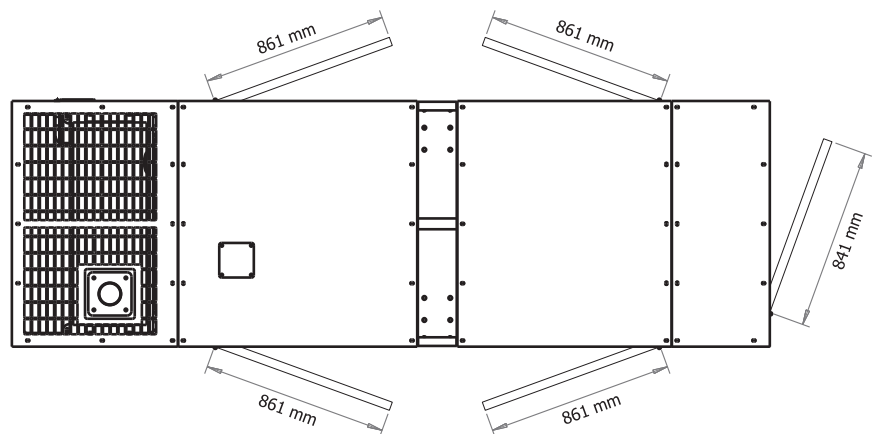
# UGY275DS

## UNIVPOWER SILENT SERIES



### Weight

|                             |                       |
|-----------------------------|-----------------------|
| Dry Weight                  | 1,204 lbs. (2,650 kg) |
| Wet Weight                  | 1,336 lbs. (2,940 kg) |
| Max. Lifting Point capacity | 2,663 lbs. (5,860 kg) |



Manufactured by  
**Zhejiang Universal Machinery Co., Ltd**  
Add: No 18-9 Nanshan Road, Qujiang Zone,  
Quzhou city, Zhejiang Province, CN  
Tel: 0086-570-3377022/3377023  
Fax: 0086-570-3377086  
Website: [www.univpower.com](http://www.univpower.com)